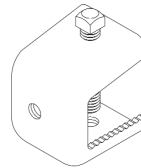


## Ground Bar Accessories

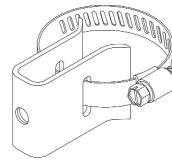
### SS Angle Adapter

**6600** Stainless steel angle adapter used to attach bus bars to angle iron on towers.  
WT 8.0 oz (226.8 g)



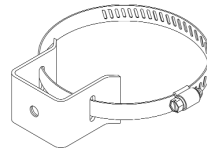
### Small Round Member Adapter

**6601** Stainless steel small round member adapter used to attach bus bars to pipe up to 3".  
WT 4.0 oz (113.4 g)



### Large Round Member Adapter

**6602** Stainless steel large round member adapter used to attach bus bars to pipe up to 3" to 6".  
WT 7.0 oz (198.4 g)



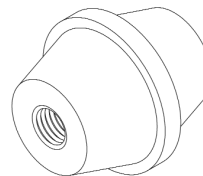
### Fiberglass Composite Insulator

**7901 Small** - Uses 1/4"-20 Hardware Suggested  
Voltage Rating – 600V 1.25" High x 1" Wide  
WT 1.2 oz (34.0 g)

**7906 Medium** - Uses 3/8"-16 Hardware Suggested  
Voltage Rating – 600V 1.375" High x 1.75" Wide  
WT 3.6 oz (102.1 g)

**7911 Large** - Uses 1/2"-13 Hardware Suggested  
Voltage Rating – 2700V 2.25" High x 2" Wide  
WT 5.5 oz (155.5 g)

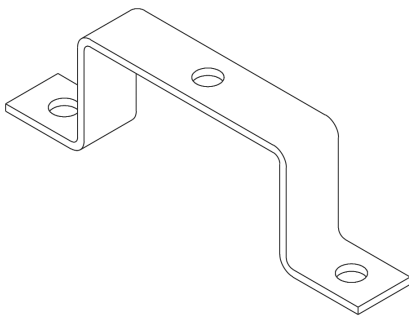
**7916 X-Large** - Uses 5/8"-11 Hardware Suggested  
Voltage Rating – 3400V 2.625" High x 2.5" Wide  
WT 10.2 oz (289.2 g)



### SS Bus Bar Bracket

- 7920** 1" standoff height from wall with 4" face and 7/16" mounting holes **WT 5.0 oz (141.7 g)**
- 7922** 1" standoff height from wall with 2" face for 1" and 2" bars and 5/16" mounting holes **WT 4.0 oz (113.4 g)**
- 7925** 1" standoff height from wall with 1/2" center mount hole **WT 5.0 oz (141.7 g)**
- 7926** 1" standoff height from wall with 5/8" center mount hole **WT 5.0 oz (141.7 g)**

\*Other mounting hardware available on request.



### Plexiglas Cover

A full line of plexiglass covers are available to fit any bus bar. The covers come with insulators and hardware to match with the patterns on the bus bar. The same numbering system is used as the bus bar system with TBC for TerraBar Cover. Call with special requirements. Lettering is available up to 2".

